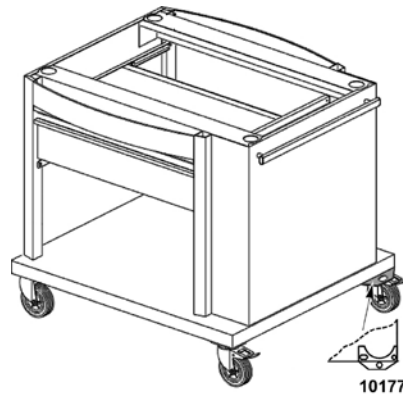


PARTS REQUIRED TO UN-STACK (2) HR7 OR HR7E ROTISSEERIE OVENS

Several Kroger Divisions have begun un-stacking HR7 & HR7E Rotisserie Ovens and placing them on stands. The following lists of parts was assembled by Lou Monterosso (937-332-7109), Manager-Tech Support FEG Cooking & Full Kitchen and are required to complete the process.

You may be asked for a Quotation to separate stacked HR7 or HR7E Rotisserie Ovens located in your service territory. Your Quote should cover the cost of these parts as well as your time & labor.



To un-stack HR7E's you will need

QTY	Part Number	Description
1	425900-94	Cover Electrical (cover on bottom unit removed during stacking procedure)
12	877868	Tinnerman Nut 10-24
12	SC-118-22	Screws 10 – 24 X 5/8 SST
4	877807	Foot/standard thread (these are needed to locate unit onto stand)

Optional part that may be needed

1	425900-125	Vent Hatch Cover (retaining screws are removed on bottom unit only, cover was to be left in place during stacking procedure. Cover may now be missing.)
---	------------	---------------------------------------------------------------------------------------------------------------------------------------------------------

To un-stack HR7's you will need

QTY	Part number	Description
1	425900-94	Cover Electrical (cover on bottom unit removed during stacking procedure)
12	425900-78	Tinnerman Nut M5
12	422905-59	Screw M5 X 8
4	360037	Foot/metric thread (these are needed to locate unit onto stand)

Optional part that may be needed

1	425900-125	Vent Hatch Cover (retaining screws are removed on bottom unit only, cover was to be left in place during stacking procedure. Cover may now be missing.)
---	------------	---------------------------------------------------------------------------------------------------------------------------------------------------------

Let me know if you have any questions regarding the cost or procedure for un-stacking a set of HR7 or HR7E Rotisserie Ovens.

Bob Andreas
National Account Manager
972-679-8402